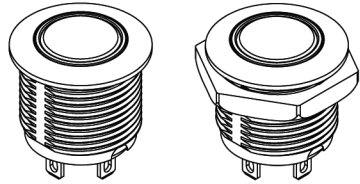
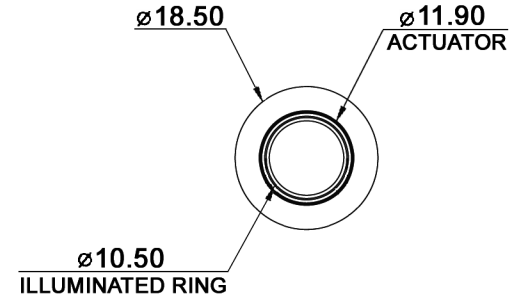
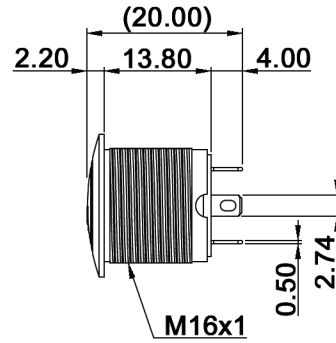
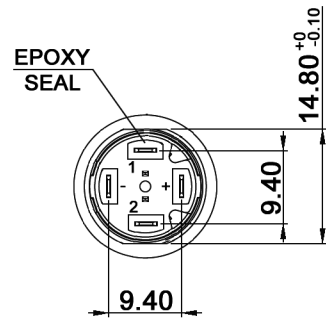


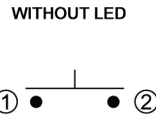
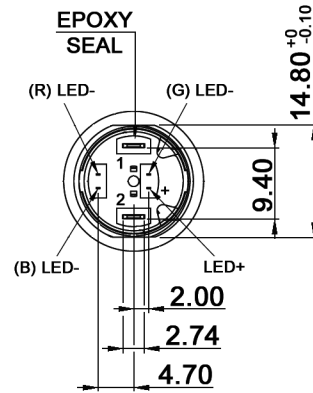
**ASSEMBLED VIEW**



**All models excepted RGB**

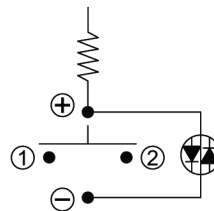


**RGB models**

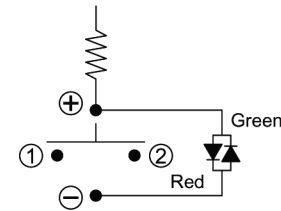


**CIRCUIT DIAGRAM**

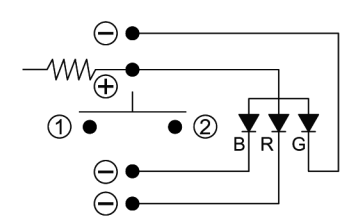
SINGLE COLOR LED



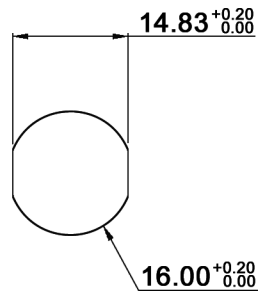
DUAL COLOR LED



RGB COLOR LED



**PANEL CUT-OUT**



THICKNESS 8.0mm max.

**Compliance: RohS III (2015/863/EU)**

Tolerances: 0.00: ±0.25mm 0.0: ±0.40mm			Date 09/15	Name dr
Material	06/22	dr		
RGB voltage	07/21	dr		
RGB	09/17	dr		
LED limitation	06/17	dr		
Revised	11/16	dr	<b>knitter-switch</b>	
Base color	07/16	dr		
Modifications	Date	Name		

**MAV16CxRE-y-JR-zV**

**30 34 19**

Page

1/2

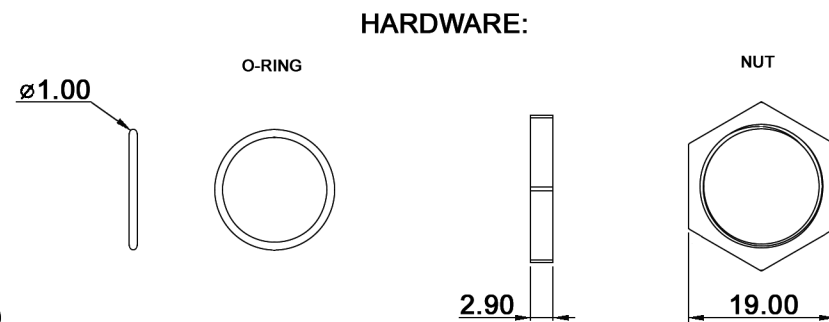
**Specifications:**

**Contact rating:** 2A, 36V DC  
**Contact resistance:** 50mOhm max.  
**Insulation resistance:** 1000MOhm min. at 500V DC  
**Dielectric strength:** 2000V AC (50/60Hz) for 1 minute  
**Operating temperature:** -20°C to +70°C  
**Mechanical life:** 1 000 000 cycles  
**Electrical life:** 200 000 make-and-break cycles at full load  
**Operating force:** 4.5 +/-1.5N  
**Torque:** 11.5kgf.cm  
**Soldering conditions:** iron soldering: 290°C, 3sec., 60W  
**Full travel:** 2.0 +/-0.20mm  
**IP rating:** IP67  
**Material:** Base: PBT (UL-94V0), white  
 Actuator: PC (UL94V2), translucent  
 Spring: steel  
 Sealing / O-ring: silicone, translucent  
 Nut: brass, nickel plated  
 Contact: silver, surface gold flash  
 Terminal: brass, silver plated, surface gold flash  
 Bushing: aluminum alloy

**LED data:**

**I<sub>F</sub>:** 20mA max.  
**U<sub>F</sub>:** white, 3.7V max.  
 red, 2.5V max.  
 yellow, 2.5V max.  
 blue, 3.7V max.  
 green, 3.7V max.

x	Bushing and button material
A	aluminum alloy (natural anodized)
B	aluminum alloy (black anodized)
y	LED color
0	without LED
1	white
3	red
5	yellow
6	green
7	blue
A	red/green
RGB	red/green/blue
z	LED voltage
0	without resistor
3	3V DC, 20mA (red and yellow LED only)
6	6V DC, 20mA
12	12V DC, 20mA
24	24V DC, 20mA



**Compliance: RohS III (2015/863/EU)**

Tolerances: 0.00: ±0.25mm 0.0: ±0.40mm			Date	Name	<h1>MAV16CxRE-y-JR-zV</h1>
Material	06/22	dr	09/15	dr	
RGB voltage	07/21	dr			
RGB	09/17	dr			
LED limitation	06/17	dr	<b>knitter-switch</b>		<h2>30 34 19</h2>
Revised	11/16	dr			
Base color	07/16	dr			
Modifications	Date	Name			Page 2/2